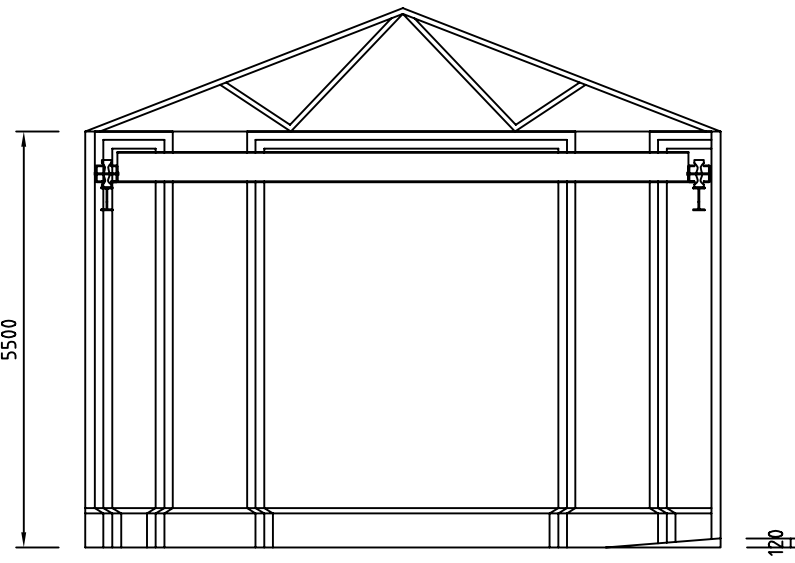
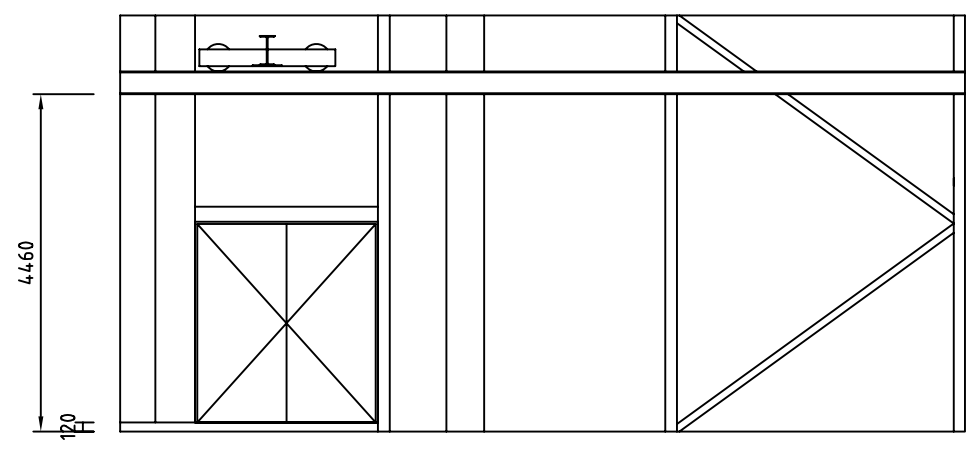


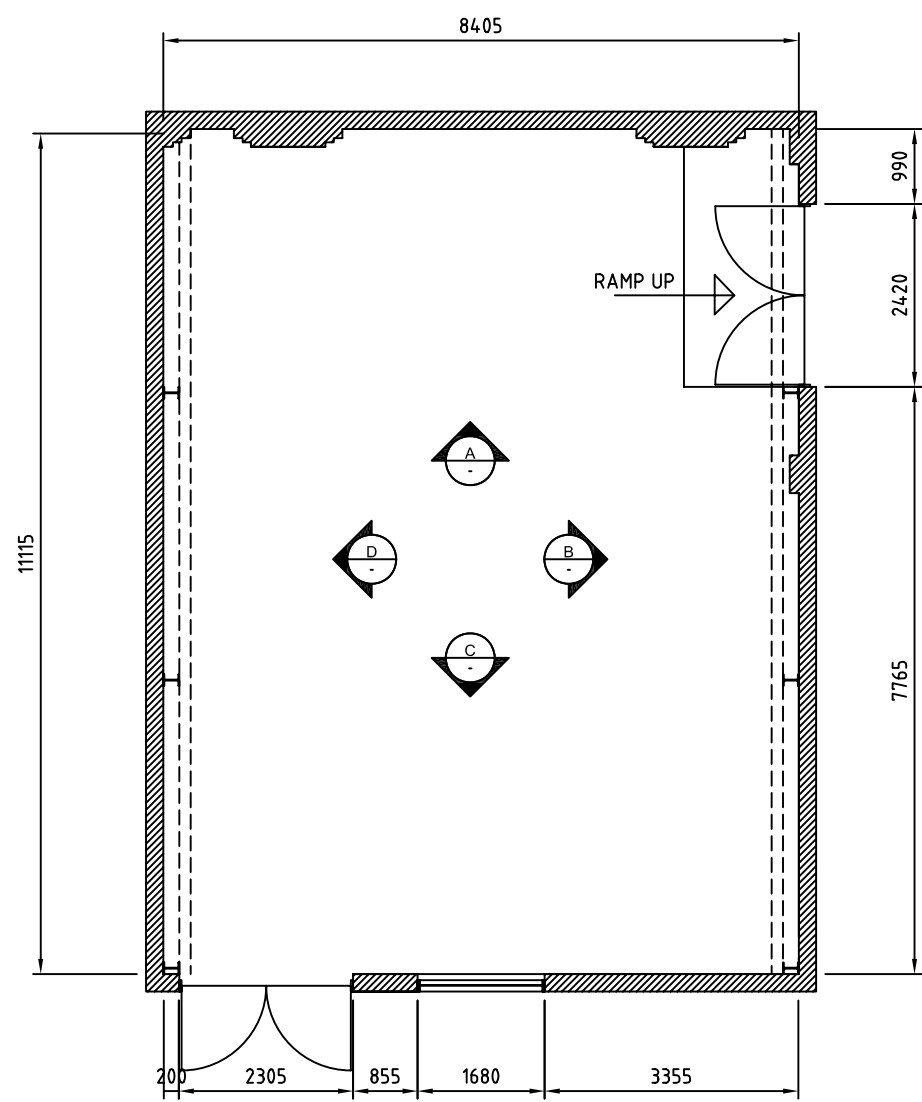
**GASWORKS ARTS PARK
REHEARSAL ROOM GRAHAM ST
ALBERT PARK**



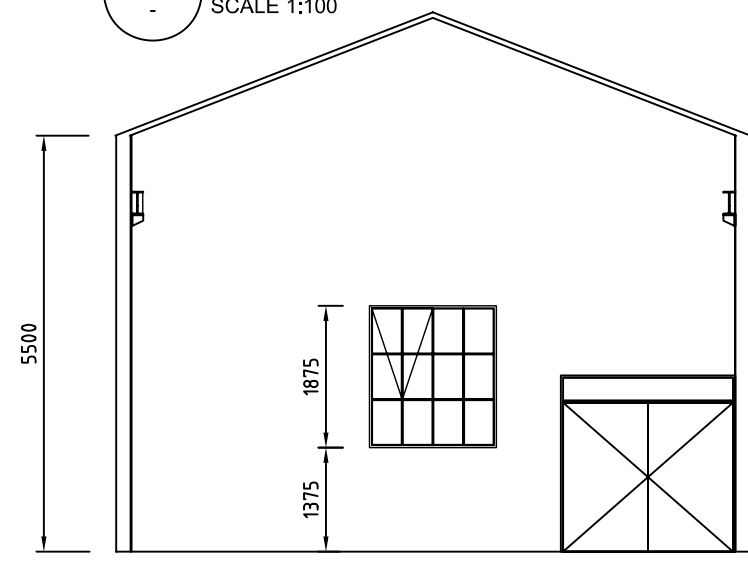
A ELEVATION
SCALE 1:100



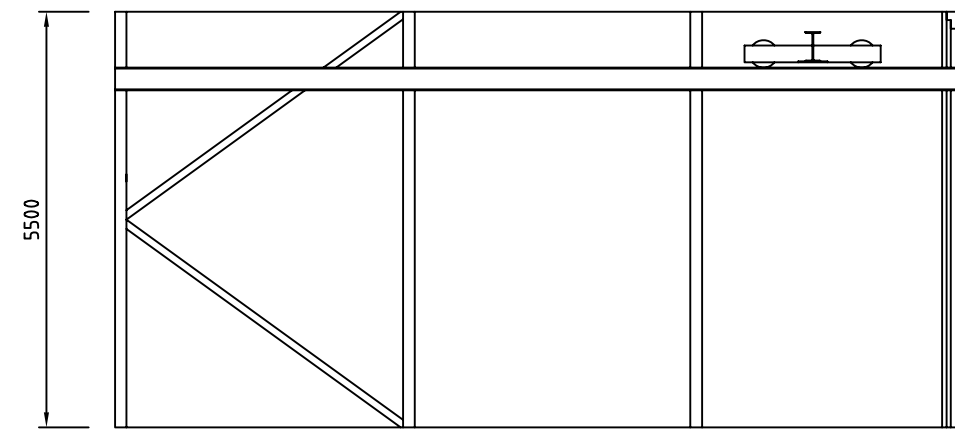
B ELEVATION
SCALE 1:100



1 PLAN
SCALE 1:100



C ELEVATION
SCALE 1:100

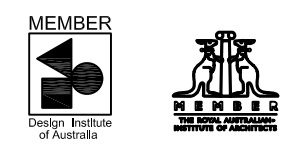


D ELEVATION
SCALE 1:100

NOTE:
ALL DIMENSIONS SHOWN ARE NOMINAL
AND MUST BE CONFIRMED ON SITE.

**BAENZIGER
COLES**
419 CITY ROAD
SOUTH MELBOURNE
VICTORIA 3205 AUS
T (03) 9696 6899
F (03) 9696 1958
E mail@baenzigercoles.com.au
www.baenzigercoles.com.au

ARCHITECTURE
INTERIOR DESIGN
PROJECT MANAGEMENT



Copyright remains the property
of Baenziger Coles Pty Ltd.

\\Bcsenver\BC-Working Data\Projects\Commercial\05096 Gasworks Arts Park\22_Cadd\05096 SK-01 - 05.Gasworks.dwg, 21/02/2006 1:59:27 PM, Rudy